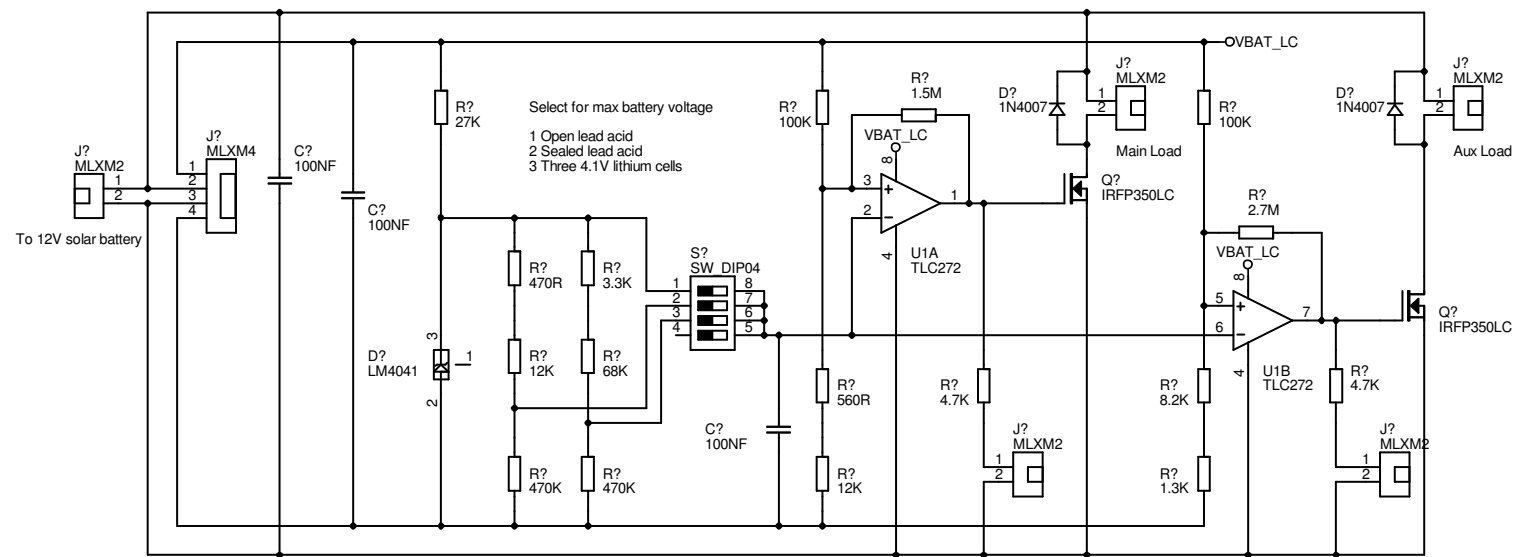


To storage battery

- 1 Sense Positive
- 2 Load Positive
- 3 Load Negative
- 4 Sense Negative



Select for max battery voltage

- 1 Open lead acid
- 2 Sealed lead acid
- 3 Three 4.1V lithium cells

Use 1.225V LM4041, 0.5% version

Main Load LED Indicator

Aux Load LED Indicator

DESIGN: shunt_reg01	NAME: Lithium Solar Shunt Regulator
FILE: solar_regulator01-01.sch	DATE: Everything
CREATED: 12/02/04	MOD: 20/04/2004
SHEET: 1 OF 1	REV: 1.0 SIZE: A3